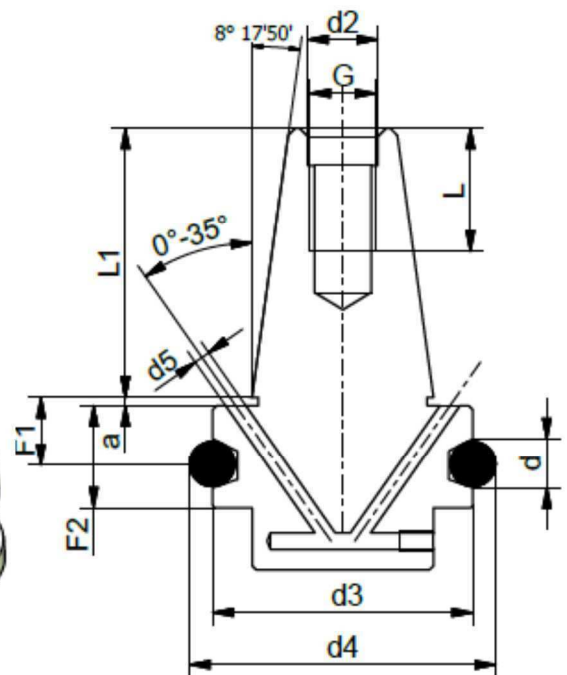
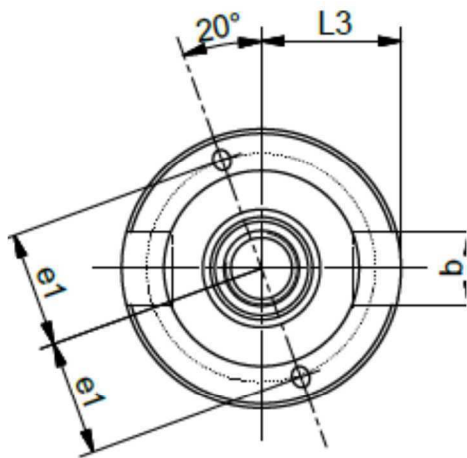


MAS 403 BT

CARATTERISTICHE TECNICHE DEL CONO MAS – BT 403

MAS – BT 403 CONE TECHNICAL CHARACTERISTIC

CARACTERÍSTICAS TÉCNICAS DEL CONO MAS – BT 403



Bilanciatura:
G: 6,3; 12.000 rpm

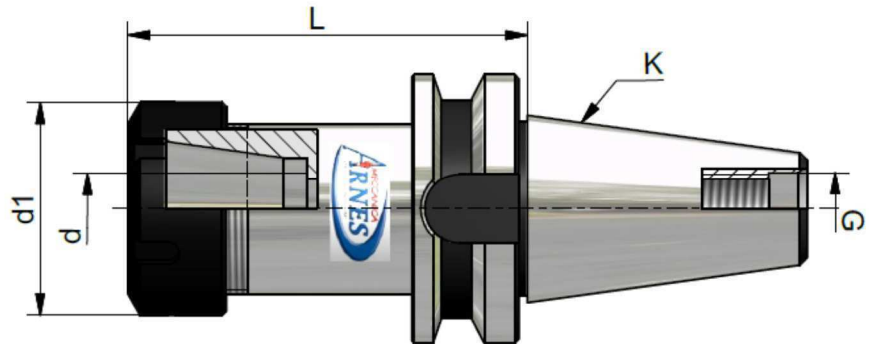
ART	ISO 30	ISO 35	ISO 40	ISO 45	ISO 50
a mm	2	2	2	3	3
b H 12 mm	16,1	14,1	16,1	19,3	25,7
G	M 12	M 12	M 16	M 20	M 24
d mm	8	10	10	12	15
d1 mm	31,75	38,1	44,45	57,15	69,85
d2 H 8 mm	12,5	13	17	21	25
d3 mm	46	53	63	85	100
d4 H 8 mm	56,144	65,680	75,679	100,216	119,020
e1± 0,1	-	-	27	-	42
F1 mm	13,6	13,0	16,6	21,2	23,2
F2 mm	20	20	25	30	35
L1 ± 0,2 mm	48,4	56,5	65,4	82,2	101,8
L2 MIN mm	24	24	30	38	45
L3 – 0,2 mm	16,3	19,3	22,6	29,1	35,4
Toll. del cono AT-3 mm	0,002	0,003	0,003	0,003	0,004

NOTE:

MANDRINI PORTA PINZE ER MAS BT CON GIERA DI SERRAGGIO

ER MAS BT PINCERS HOLDER CHUCKS WITH LOCKING COLAR

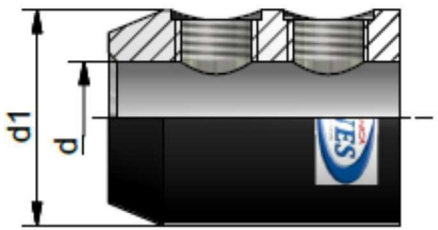
MANDRIL PORTAPINZAS MAS – BT PARA PINZAS ER



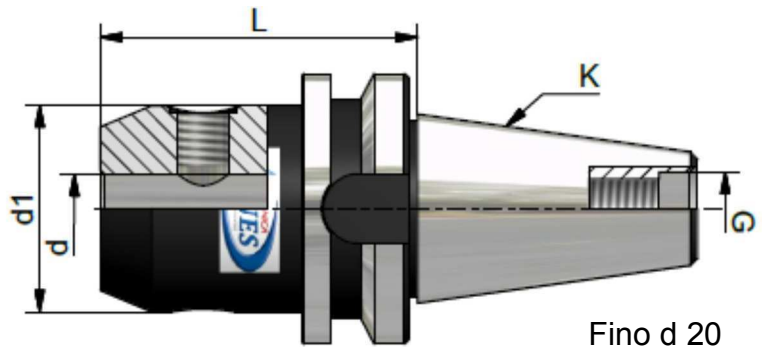
ART	K	d	d1	L	Pinze Pincers	G
* 403 P0/3025	ISO 30	2 - 16	42	55	ER 25	M 12
* 403 P1/3025		2 - 16	42	100	ER 25	
* 403 P0/3032		2 - 20	50	60	ER 32	
* 403 P1/3032		2 - 20	50	100	ER 32	
403 P0/4016	ISO 40	1 - 10	32	70	ER 16	M 16
403 P1/4016		1 - 10	32	100	ER 16	
403 P0/4020		1 - 13	35	70	ER 20	
403 P1/4020		1 - 13	35	100	ER 20	
403 P0/4025		2 - 16	42	70	ER 25	
403 P1/4025		2 - 16	42	100	ER 25	
403 P0/4032		2 - 20	50	70	ER 32	
403 P1/4032		2 - 20	50	100	ER 32	
403 P0/4040	ISO 45	3 - 30	63	70	ER 40	M 20
* 403 P0/4532		2 - 20	50	70	ER 32	
* 403 P1/4532		2 - 20	50	100	ER 32	
* 403 P1/4540		3 - 30	63	100	ER 40	
403 P0/5032	ISO 50	2 - 20	50	80	ER 32	M 24
403 P1/5032		2 - 20	50	130	ER 32	
403 P0/5040		3 - 30	63	80	ER 40	
403 P1/5040		3 - 30	63	130	ER 40	
403 P0/5050		12 - 34	78	100	ER 50	
403 P1/5050		12 - 34	78	130	ER 50	

* fornibile a richiesta * by request * disponible bajo pedido

**MANDRINI PORTA FRESE TIPO WELDON
MILLING CUTTERS HOLDER CHUCKS WELDON MODEL
MANDRIL PORTAFRESAS WELDON**



Da d 25
From d 25

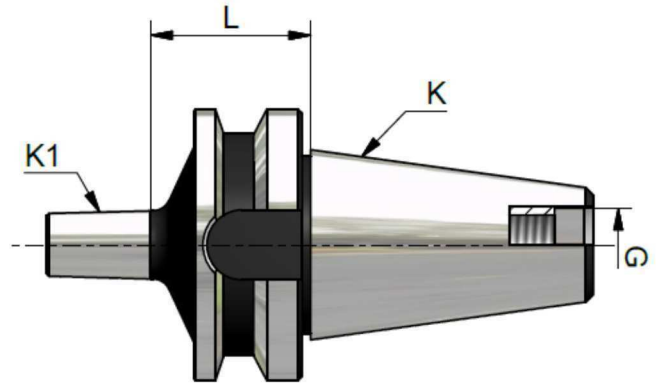


Fino d 20
To d 20

ART	K	d	d1	L	G
* 403 W0/3006	ISO 30	6	25	50	M 12
* 403 W0/3008		8	28	50	
* 403 W0/3010		10	35	50	
* 403 W0/3012		12	42	55	
* 403 W0/3016		16	48	63	
* 403 W0/3020		20	52	70	
403 W0/4006	ISO 40	6	25	50	M 16
403 W0/4008		8	28	50	
403 W0/4010		10	35	63	
403 W0/4012		12	42	63	
403 W0/4016		16	48	63	
403 W1/4020		20	52	63	
403 W0/4025		25	65	35	
403 W1/4025	25	65	90		
403 W0/4032	32	65	100		
* 403 W0/4506	ISO 45	6	25	60	M 20
* 403 W1/4508		8	28	60	
* 403 W0/4510		10	35	65	
* 403 W0/4512		12	42	70	
* 403 W0/4516		16	48	70	
* 403 W0/4520		20	52	75	
* 403 W0/4525		25	65	100	
* 403 W0/4532		32	72	100	
403 W0/5006	ISO 50	6	25	63	M 24
403 W0/5008		8	28	63	
403 W0/5010		10	35	63	
403 W0/5012		12	42	80	
403 W0/5016		16	48	80	
403 W0/5020		20	52	80	
403 W0/5025		25	65	44	
403 W1/5025		25	65	100	
403 W0/5032		32	72	44	
403 W1/5032		32	72	105	
403 W0/5040		40	80	120	

* fornibile a richiesta * by request * disponible bajo pedido

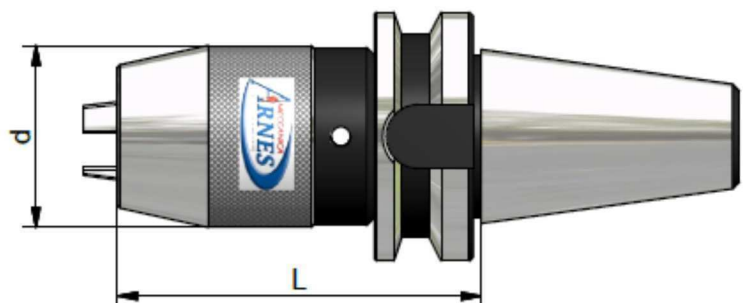
ATTACCHI PER MANDRINI PORTA PUNTE
 DRILL HOLDER CHUCKS CONNECTIONS
 ADAPTADORES PORTABROCAS



ART	K	K1	L	G
* 403 B0/3012	ISO 30	B 12	30	M 12
* 403 B0/3016		B 16	30	
403 B0/4012	ISO 40	B 12	45	M 16
403 B0/4016		B 16	45	
403 B0/4018		B 18	45	
* 403 B0/4512	ISO 45	B 12	44	M 20
* 403 B0/4516		B 16	44	
* 403 B0/4518		B 18	44	
403 B0/5012	ISO 50	B 12	45	M 24
403 B0/5016		B 16	45	
403 B0/5018		B 18	45	

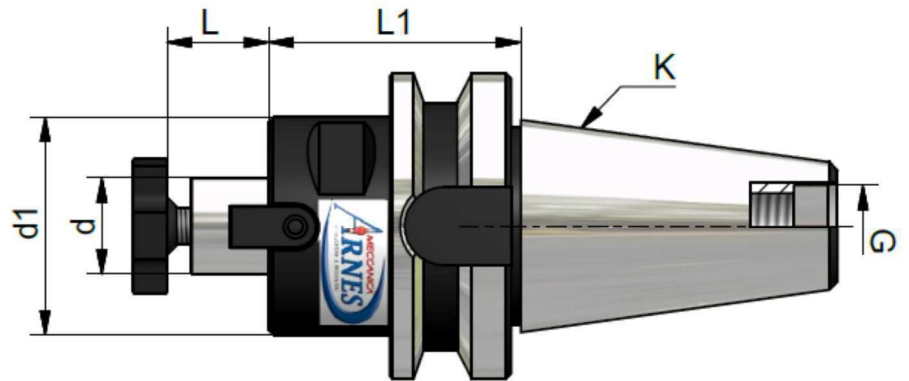
* fornibile a richiesta * by request * disponible bajo pedido

MANDRINI PORTA PUNTE INTEGRALE
 MONOLITHIC DRILL CHUCKS
 PORTABROCAS INTEGRALES CNC



ART	L	Cap. Ø	d
403 PP 0 4013	95	0 ÷ 13	51
403 PP 0 4016	120	13 ÷ 16	58
403 PP 0 5013	110	0 ÷ 13	51
403 PP 0 5016	110	3 ÷ 16	58

MANDRINI PORTA FRESE TRASCINAMENTO FISSO
 MILLING CUTTERS CHUCKS WITH FIXED DRAGGING
 MANDRIL PORTAFRESAS FIJO

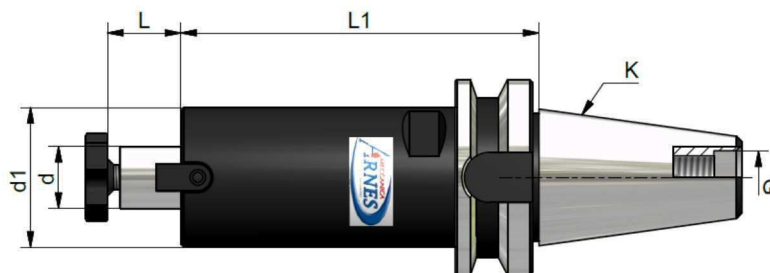


ART	K	d	d ₁	L	L ₁	G
* 403 F0/3016	ISO 30	16	32	17	40	M 12
* 403 F0/3022		22	40	19	40	
* 403 F0/3027		27	48	21	40	
403 F0/4016	ISO 40	16	32	17	45	M 16
403 F0/4022		22	40	19	45	
403 F0/4027		27	48	21	45	
403 F0/4032		32	58	24	50	
403 F0/4040		40	70	27	55	
* 403 F0/4522	ISO 45	22	40	19	60	M 20
* 403 F0/4527		27	48	21	65	
* 403 F0/4532		32	58	24	65	
* 403 F0/4540		40	70	27	65	
403 F0/5022	ISO 50	22	40	19	60	M 24
403 F0/5027		27	48	21	60	
403 F0/5032		32	58	24	60	
403 F0/5040		40	70	27	60	

* fornibile a richiesta * by request * disponible bajo pedido

NOTE:

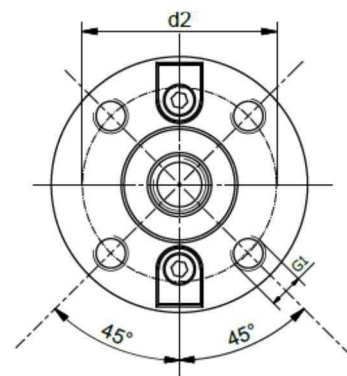
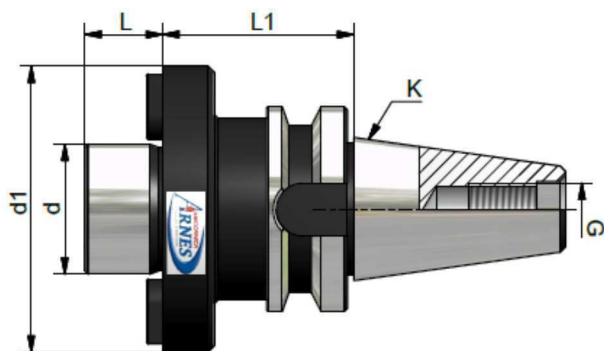
MANDRINI PORTA FRESE TRASCINAMENTO FISSO – tipo prolungato
MILLING CUTTERS CHUCKS WITH FIXED DRAGGING – prologued type
MANDRIL PORTAFRESAS FIJO – modelo prolongado



ART	K	d	d1	L	L1	G
	ISO 30	* fornibile a richiesta		* by request		M 12
403 F1/4016	ISO 40	16	32	17	100	M 16
403 F1/4022		22	40	19	100	
403 F1/4027		27	48	21	100	
403 F1/4032		32	58	24	100	
	ISO 45	* fornibile a richiesta		* by request		M 20
403 F1/5022	ISO 50	22	40	19	100	M 24
403 F1/5027		27	48	21	100	
403 F1/5032		32	58	24	100	
403 F1/5040		40	70	27	100	

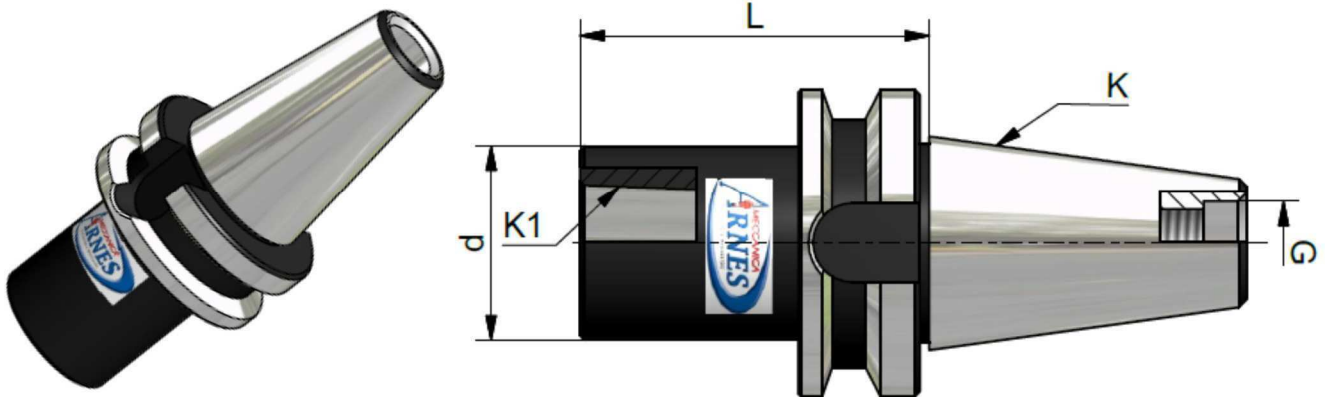
* fornibile a richiesta * by request * disponible bajo pedido

MANDRINI PORTA FRESE PER FRESE AD INSERTI
MILLING CUTTERS CHUCKS FOR MILLING CUTTERS WITH INSERT
MANDRIL PORTAFRESAS PARA FRESA AD INSERTO



ART	K	d	d1	d2	G1	L1	L	G
403 10/4040	ISO 40	40	88	66,7	M 12	60	30	M 16
403 10/5040	ISO 50	40	88	66,7	M 12	70	30	M 24
403 10/5060	ISO 50	60	128	101,6	M 16	80	40	M 24

MANDRINI RIDUZIONE CONO MORSE PER FRESE
 MORSE CONE REDUCTION CHUCKS FOR MILLING CUTTERS
 MANDRIL REDUCTORES A MORSE PARA FRESAS

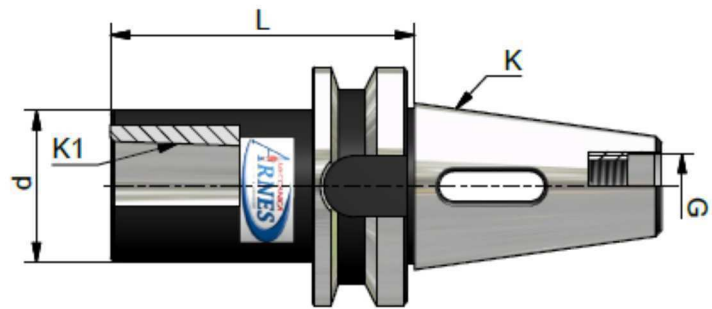


ART	K	K1	d	L	G
* 403 MF0/3001	ISO 30	CM 1	25	50	M 12
* 403 MF0/3002		CM 2	32	60	
* 403 MF0/3003		CM 3	40	80	
403 MF0/4001	ISO 40	CM 1	25	50	M 16
403 MF0/4002		CM 2	32	50	
403 MF0/4003		CM 3	40	70	
403 MF0/4004		CM 4	48	95	
	ISO 45	* fornibile a richiesta * by request			M 20
403 MF0/5002	ISO 50	CM 2	32	50	M 24
403 MF0/5003		CM 3	40	65	
403 MF0/5004		CM 4	48	95	
403 MF0/5005		CM 5	63	100	

* fornibile a richiesta * by request * disponible bajo pedido

NOTE:

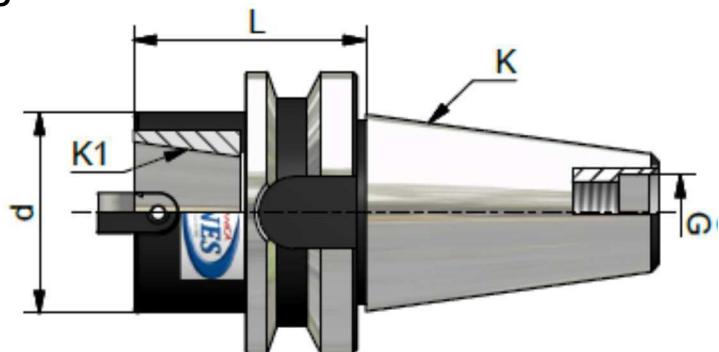
MANDRINI RIDUZIONE CONO MORSE PER PUNTE
 MORSE CONE REDUCTION CHUCKS FOR DRILLS
 MANDRIL REDUCTORES A MORSE PARA BROCCAS



ART	K	K1	d	L	G
* 403 M0/3001	ISO 30	CM 1	25	50	M 12
* 403 M0/3002		CM 2	32	60	
* 403 M0/3003		CM 3	40	80	
403 M0/4001	ISO 40	CM 1	25	50	M 16
403 M0/4002		CM 2	32	50	
403 M0/4003		CM 3	40	70	
403 M0/4004		CM 4	48	95	
	ISO 45	* fornibile a richiesta * by request			M 20
403 M0/5002	ISO 50	CM 2	32	60	M 24
403 M0/5003		CM 3	40	65	
403 M0/5004		CM 4	48	95	
403 M0/5005		CM 5	63	105	

* fornibile a richiesta * by request * disponible bajo pedido

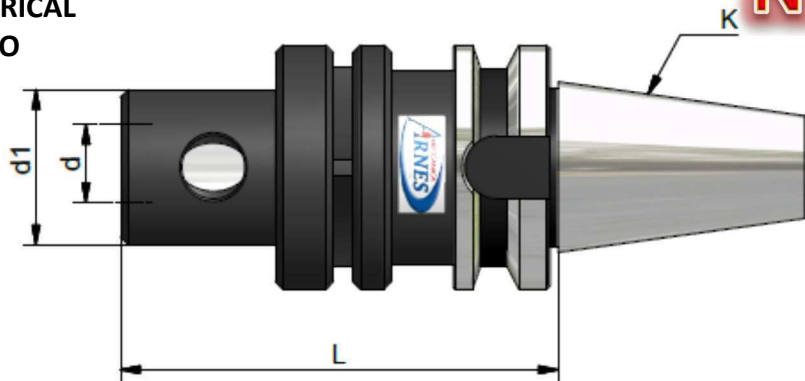
MANDRINI RIDUZIONE CONO MORSE PER PUNTE
 MORSE CONE REDUCTION CHUCKS FOR DRILLS
 CONO REDUCTORES CONOS ISO – CONOS ISO



ART	K	K1	d	L	G
403 A0/4030	ISO 40	ISO 30	50	70	M 26
403 A0/5040	ISO 50	ISO 45	63	70	M 24

ZERO TOP ATTACCO CILINDRICO
 ZERO TOP CONNECTION CYLINDRICAL
 ZERO TOP CONEXIÓN CILÍNDRICO

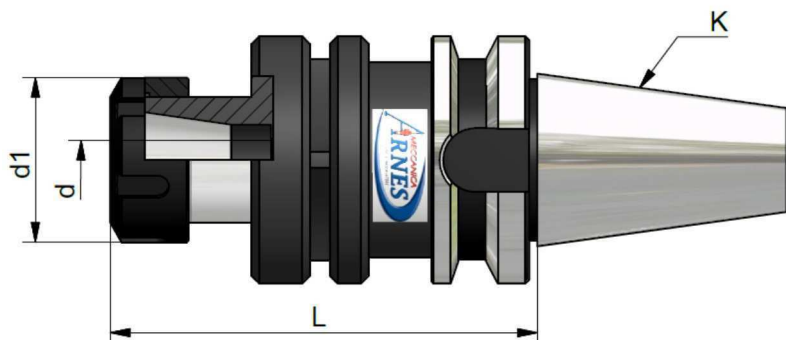
NEW



ART	K	d	d1	L
403ZTC/4010	ISO 40	10	34	95
403ZTC/4014	ISO 40	14	34	95
403ZTC/4016	ISO 40	16	38	95
403ZTC/4018	ISO 40	18	40	95
403ZTC/4020	ISO 40	20	40	105
403ZTC/4025	ISO 40	25	40	105
403ZTC/5010	ISO 50	10	34	95
403ZTC/5014	ISO 50	14	34	95
403ZTC/5016	ISO 50	16	38	95
403ZTC/5018	ISO 50	18	40	95
403ZTC/5020	ISO 50	20	40	105
403ZTC/5025	ISO 50	25	40	105

ZERO TOP PORTA PINZA ER
 ZERO TOP HOLDER PINCERS ER
 ZERO TOP PORTAPINZAS ER

NEW



ART	K	d	d1	L
403ZTP0/4020	ISO 40	1 - 13	35	105
403ZTP0/4025	ISO 40	2 - 16	42	105
403ZTP0/5020	ISO 50	1 - 13	35	105
403ZTP0/5025	ISO 50	2 - 16	42	105